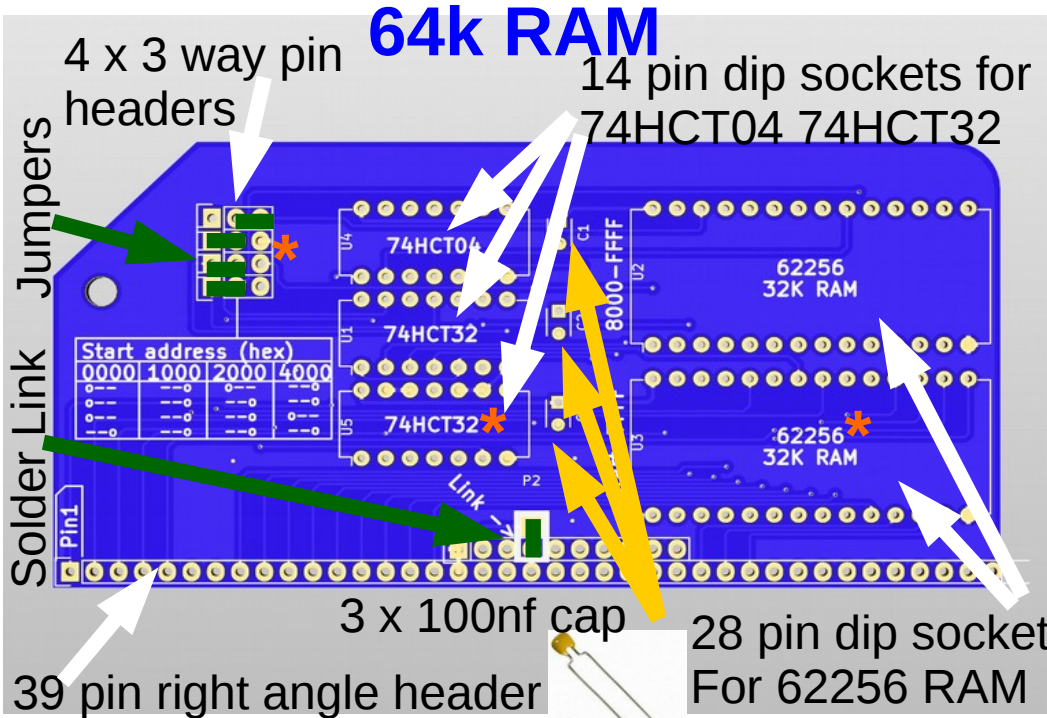


RAM 14



Solder link where shown first

Solder IC sockets with notch towards "U" designator

Add 3 100nf caps then the header pins and finally 4x 3 pin headers

Jumpers shown assume 8k MS BASIC ROM. For other settings see www.rc2014.co.uk

Pro tip: If only using 32k, items marked * may be omitted

