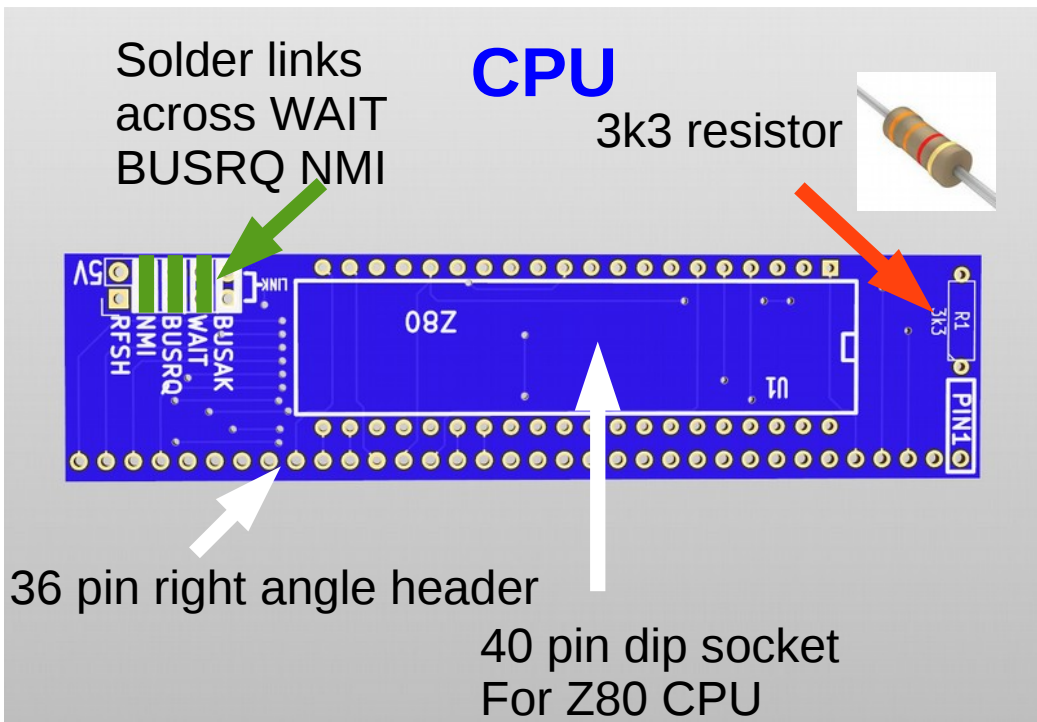


R2014



Wire links should be soldered across the pads by WAIT, BUSRQ, NMI as indicated. Leave BUSAK and RFSH unconnected. Alternatively, use header pins and jumpers if you need to break these signals out. (Tip: if you don't know if you will need these signals broken out, you probably don't). **Pro Tip:** Use the leads from resistors for the links

