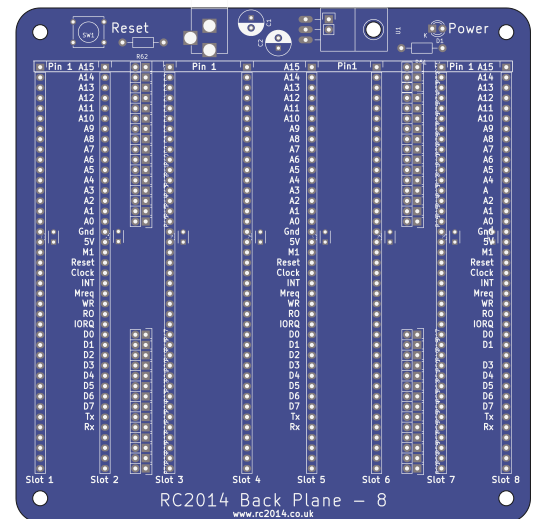


### Introduction

The RC2014 Classic ][ is a modular Z80 based retro computer kit. It consists of individual modules for the Z80 CPU, 32k RAM, 8k banked ROM, serial I/O and 7.3728MHz clock, all connected via a passive backplane. This arrangement allows programming in either BASIC or Z80 Assembly Language through a terminal emulator. Many other expansion modules designed for the RC2014 can be used in the spare expansion slots, and the standard modules can be swapped out for different spec modules. The Classic ][ is based on the original RC2014 Classic but with enhanced features such as standardised module sizes, easier assembly, and improved electrical design.

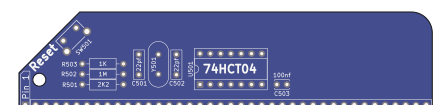
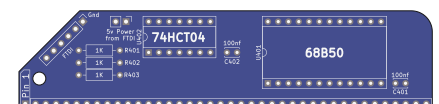
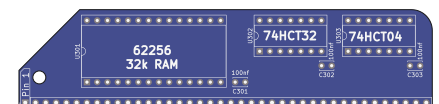
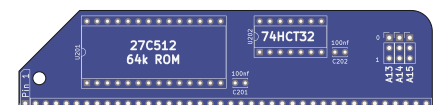
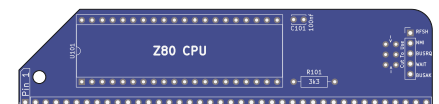
Full schematic available at <https://rc2014.co.uk> or last page if viewing this doc digitally

### Kit's content

There are six PCBs in the package, one 'backplane' and five modules. These are the components included in the kit:

- x8 40-pin SIL socket
- x5 40-pin right-angle header
- x1 6-pin right-angle header
- x1 11-pin header
- x1 40-pin DIL socket
- x2 28-pin DIL socket
- x1 24-pin DIL socket
- x5 14-pin DIL socket
- x1 Z80 CPU
- x1 62256 RAM
- x1 27C512 EPROM BASIC
- x1 MC68B50
- x3 74HCT04
- x2 74HCT32
- x1 3.3KΩ resistor
- x2 2.2KΩ resistor
- x1 330Ω resistor
- x4 1KΩ resistor
- x1 1MΩ resistor
- x2 22pF ceramic capacitor
- x17 100nF ceramic capacitor
- x1 7.3728 MHz crystal
- x4 blue jumpers
- x1 2.1mm power jack
- x1 3mm green LED
- x1 pushbutton
- x1 right-angle pushbutton



Resistors, crystals, and ceramic capacitors have no 'polarity'. That is, they can be soldered in any direction. Pay attention to polarity for LEDs, diodes, and electrolytic capacitors that normally have an indication on the soldering direction

# Assembly

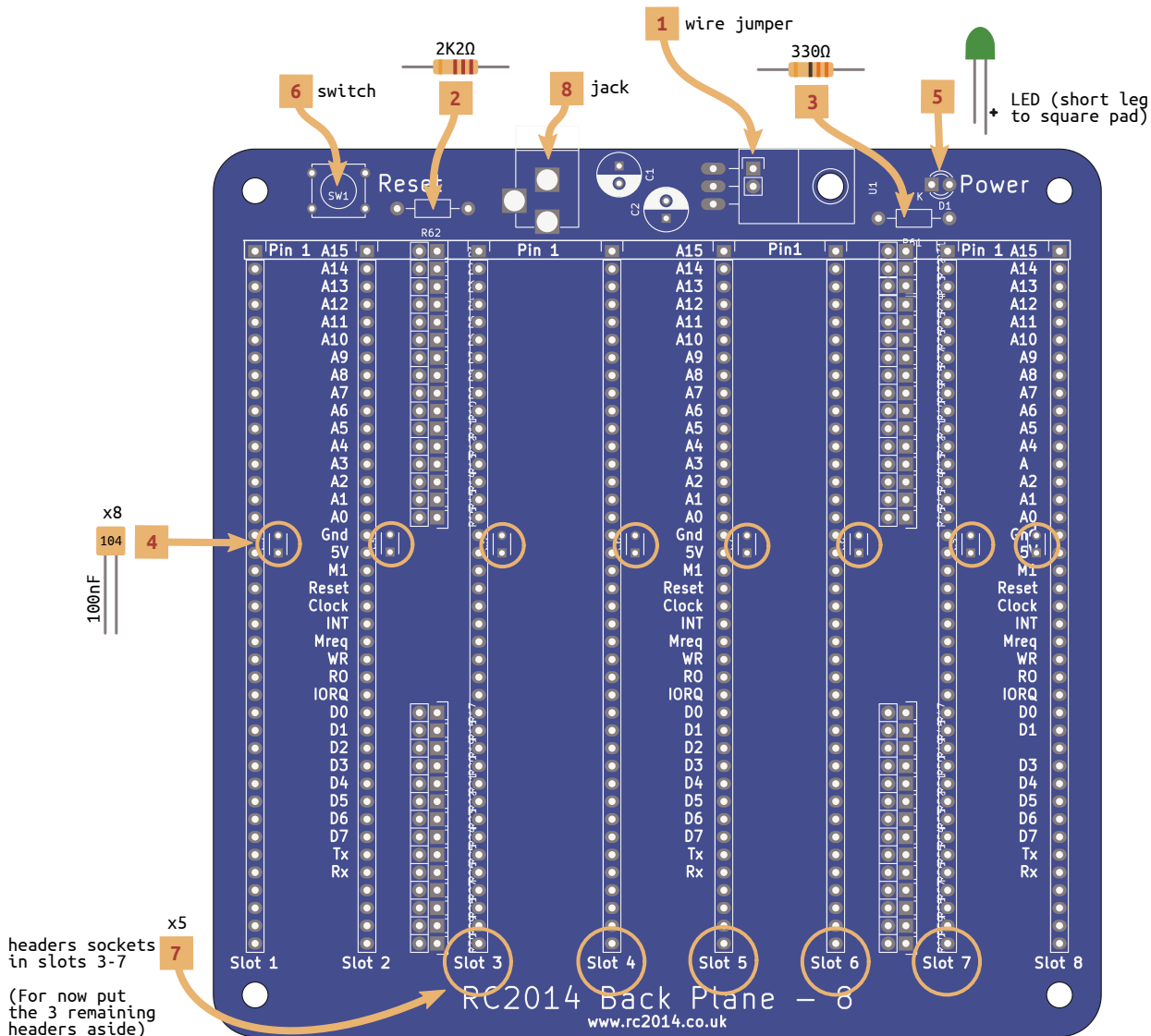


When soldering and building this project use all appropriate safety equipment. We also recommend using ESD protection in order to not damage the components.



Pay attention to solder the components on the 'component side' of the PCB

We start with the backplane. Place the components on the face of the board shown below. Use the height of the components as a rough guide for assembly order; this order is indicated inside of the square base of the arrows.



Backplane – component side

The input voltage is 5V center positive through the jack. For higher input voltage use a fixed 5V regulator in U1 – *put insulating tape on top of the jumper to avoid shorts* – and populate C1 and C2 appropriately.

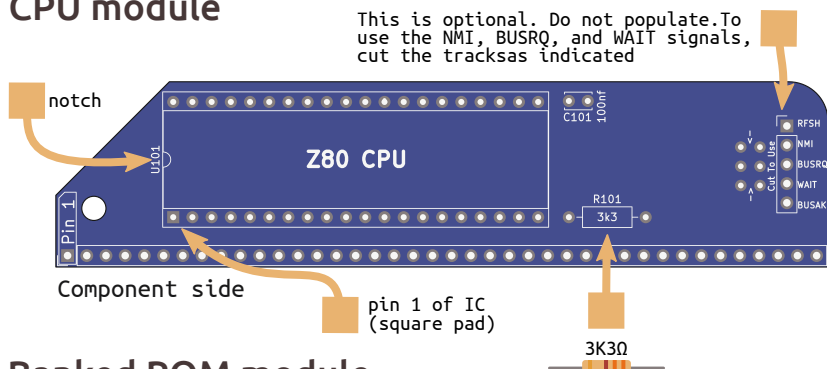
In order to use slots 1 & 2, bridge the two 2 sets of isolation pads between them (square pad jumped to the round pad on its left). We'll use Slot 7 for the Clock & Reset module which doesn't require any bridging, but if you want to fully use slots 7 & 8 you'll need to bridge those pads too.



For quick and easy bridging see [rc2014.co.uk/1543/backplane-motherboard-lacing/](http://rc2014.co.uk/1543/backplane-motherboard-lacing/)

The values and types of components are indicated on the component-side of each module in silkscreen. We suggest that you solder the components in the following order: resistors, capacitors, sockets, switch/crystal, headers. Only then plug the ICs into sockets. Below are module-specific notes.

## CPU module

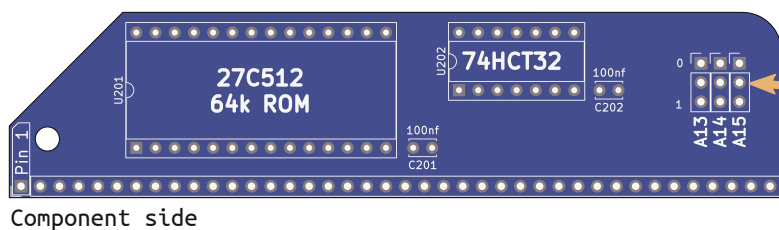


When placing sockets, match the notch on one of the narrow sides to the notch indicated by the outline on the board



When placing the ICs in the sockets, make sure that the notch on one of the narrow sides matches the notch on the component's silkscreen outline

## Banked ROM module



Cut the 11-pin header into 3 3-pin segments and solder them here. Put the 2-pin remainder to one side for now.

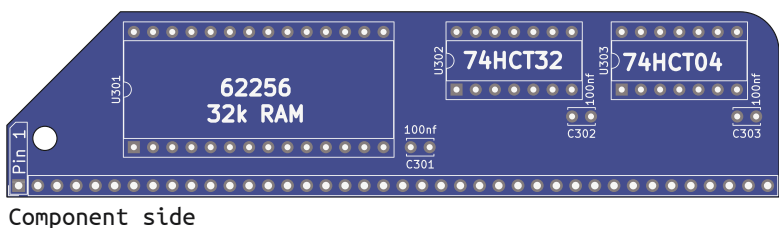
Using the 3 blue jumpers to set to these modes:

000: boot to BASIC  
111: boot to ROM monitor

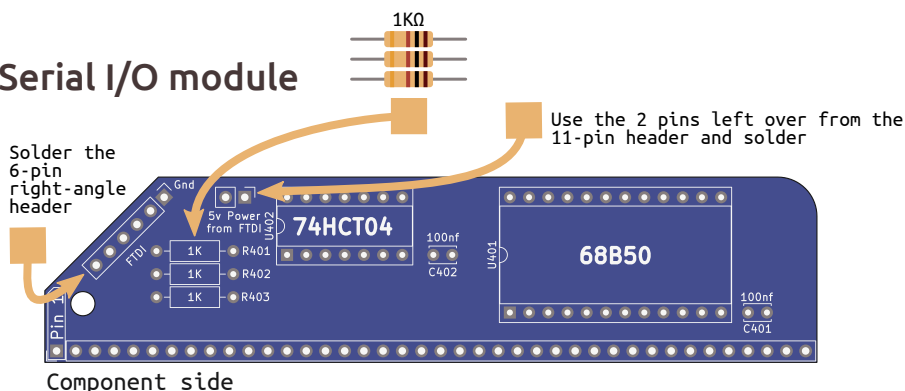
The remaining settings are blank on this ROM.

Use 000 for the example in the next page.

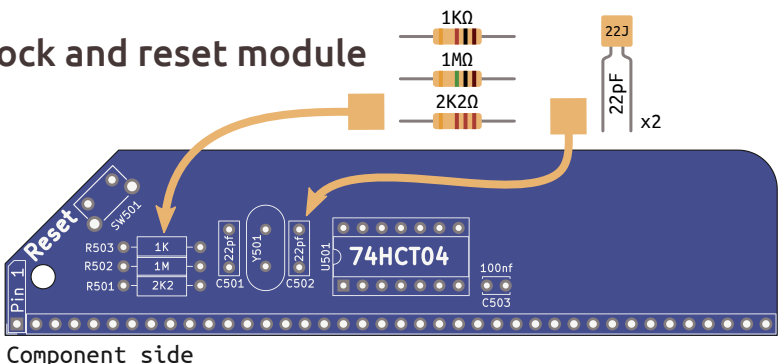
## RAM module



## Serial I/O module



## Clock and reset module



The ROM has a sticker on it indicating what firmware was loaded onto it. Decoding information is here:

<https://rc2014.co.uk/1515/decoding-rom-labels>

Now that we have the backplane and modules soldered, let's connect them. But first it's a good idea to inspect all the PCBs for shorts, bad solder joints, and check that the ICs were inserted in the right orientation (notch-to-notch). Then, **carefully insert the 'Clock & Reset' module into slot 7**. The 'Pin 1' marking on the module should be next to 'Pin 1' marking on the backplane. Insert the CPU, ROM, RAM and serial I/O modules in to slot 3 - 6 respectively.

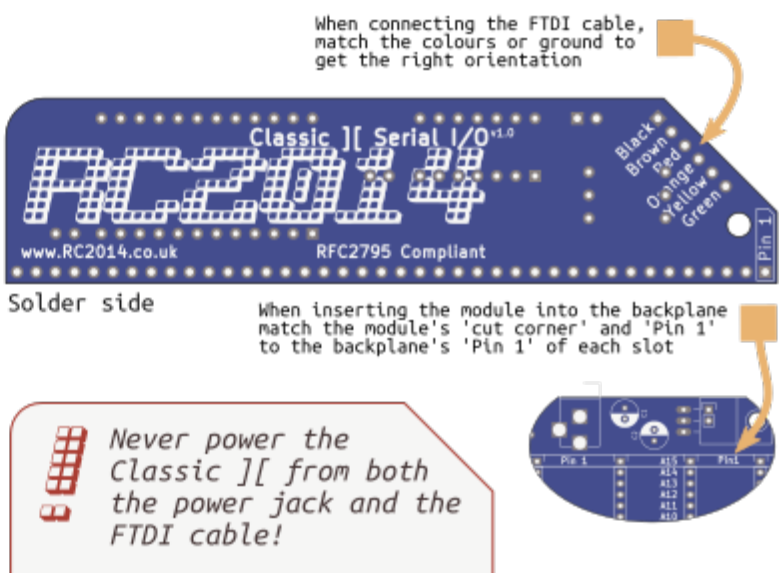
## First power-up!

For power either use the jack with 5V or power via the FTDI cable by putting a jumper on the 2-pin header of the Serial I/O module. When power is applied, the green LED should turn on.

Now connect the FTDI cable, matching the colours on the solder side of the Serial I/O module.

Connect the FTDI cable to a computer and launch your favourite terminal emulator (putty, minicom, tera term etc.). Set the appropriate port to 115200bps and 8-N-1. Press either reset button – they're equivalent – and you should get the following on your screen:

```
Z80 SBC By Grant Searle
Cold or warm start (C or W)? C
Memory top?
Z80 BASIC Ver 4.7b
Copyright (C) 1978 by Microsoft
32382 Bytes free
Ok
10 for a=1 to 5
20 print "RC2014 is cool"
30 next a
run
```



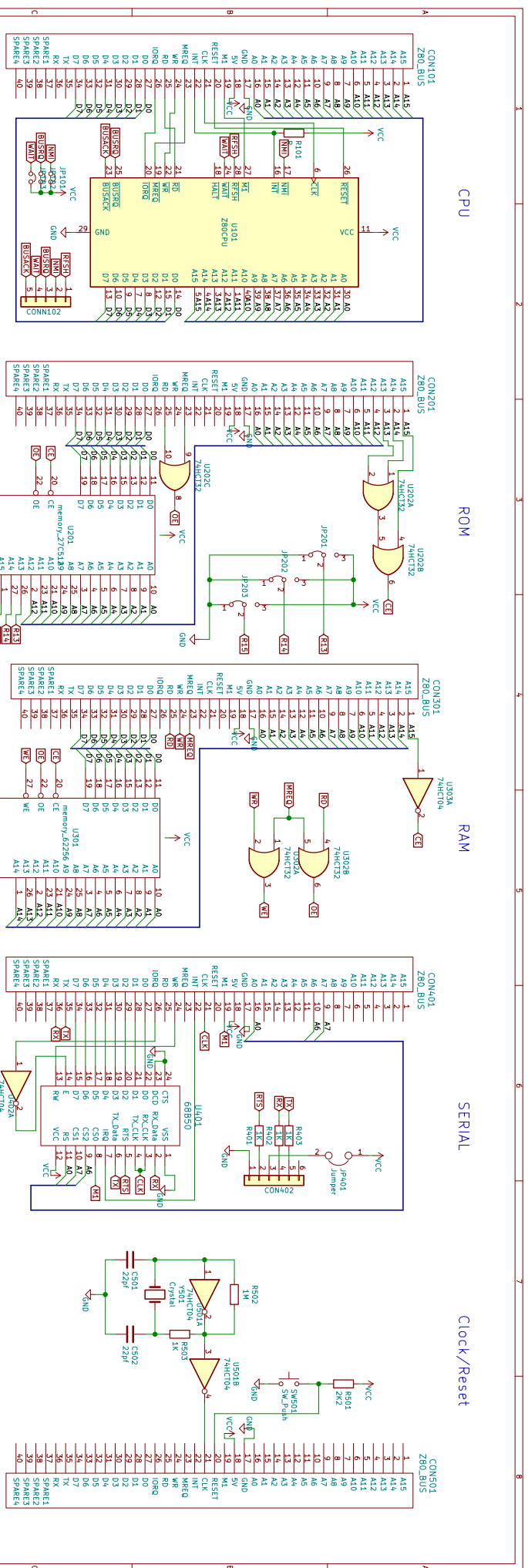
Official FTDI colours are

- \* Black GND
- \* Brown CTS
- \* Red VCC
- \* Orange TXD
- \* Yellow RXD
- \* Green CTS

You may need to match the signals if you have different colours

## Troubleshooting

Check if power is applied correctly (5V and LED is on). Check that the correct ICs are plugged into their respective sockets and that they are in correct orientation. Check the orientation of the FTDI cable and port settings. Try pressing the pushbutton again; does anything appear on the screen? Additional help is at [rc2014.co.uk/troubleshooting/](http://rc2014.co.uk/troubleshooting/)



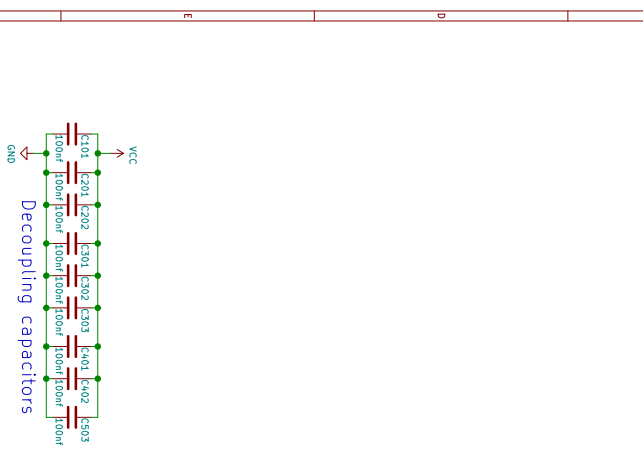
CPU

ROM

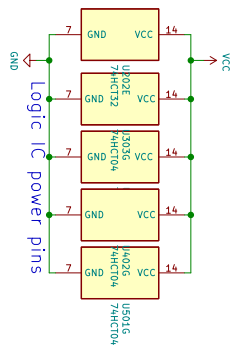
RAM

SERIAL

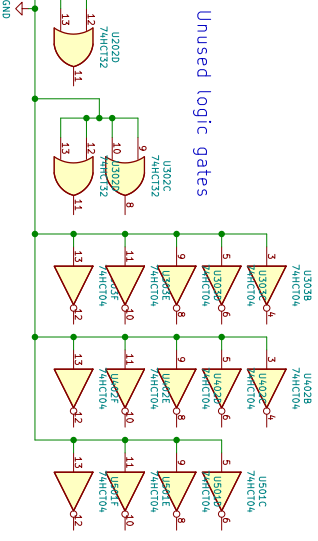
Clock/Reset



Decoupling capacitors



Logic IC power pins



Unused logic gates

Sheet: /	
File: Classic IIsch	
<b>Title:</b>	
Size: 45	Date:
Klud E.D.A. Klud 51.0 - 6077486000018.04.1	
Rev: 1/1	